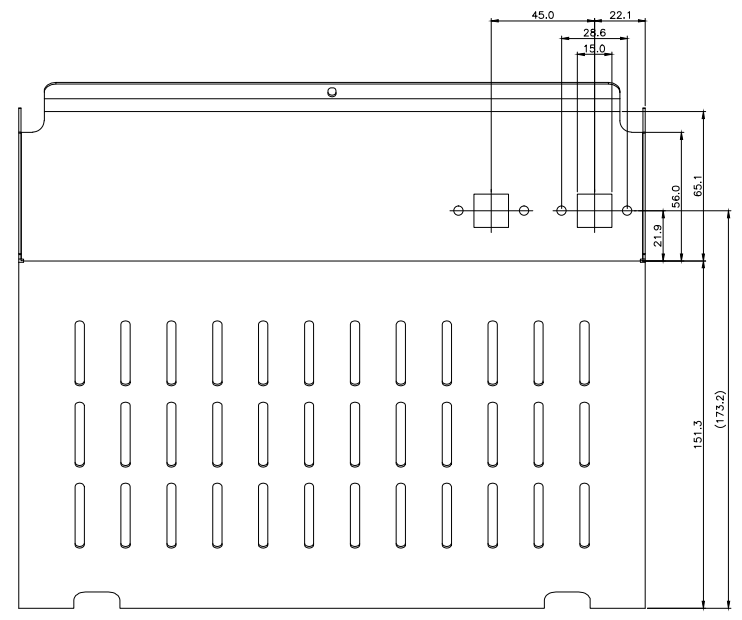
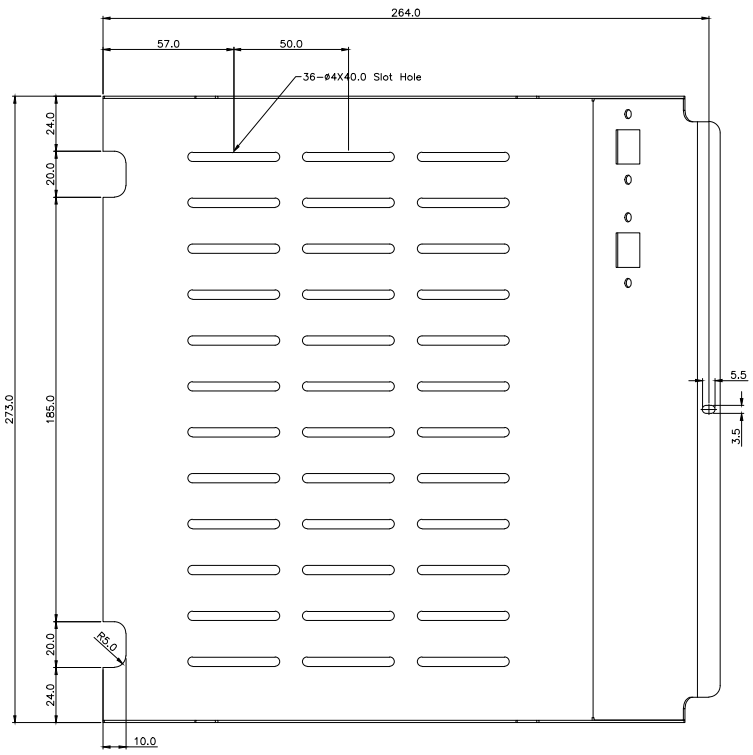
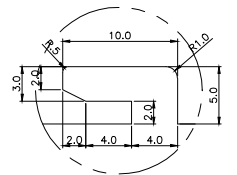


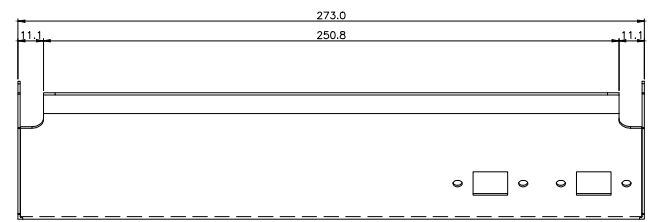
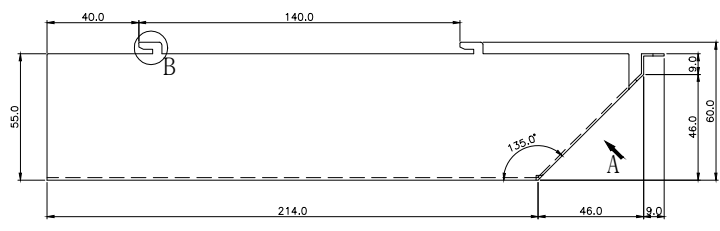
NO.	REVISION	ALTERATION	DATE	APP'L
-	-	-	-	-



VIEW A
S/C 1:1



VIEW B
S/C 5:1



General Tolerances		PC TRAY				EG1 1.0t	1EA		
Dimension	1	111	NO.	PART NAME	MATERIAL	Q'TY	FINISH	REMARKS	REV.
1~250	±0.1	±0.15	±0.2	DRW BY	DSGN DY	CHKD BY	APP'L BY	General Tolerances : ±0.2	UNIT
250~500	±0.1	±0.20	±0.3	YOUN	-	-	-	General Chamfer : : Round : : Chamfer :	PROJECT
500~	±0.1	±0.20	±0.3	SJ	-	-	-	Material : EG1 1.0t	SCALE
	±0.15	±0.4		16.06.21				UNIT	TITLE
	±0.2	±0.5						SCALE	46inch TOUCH TABLE
	±0.25	±0.8						ANGLE	3rd
	±0.25	±0.9						ANGLE	3rd



PART NO. 639494090910

UNIT	PROJECT	REV.
mm	-	00
SCALE	TITLE	SIZE
1/1	46inch TOUCH TABLE	FREE
DRAWING NO.	SHEET	
-	1/1	