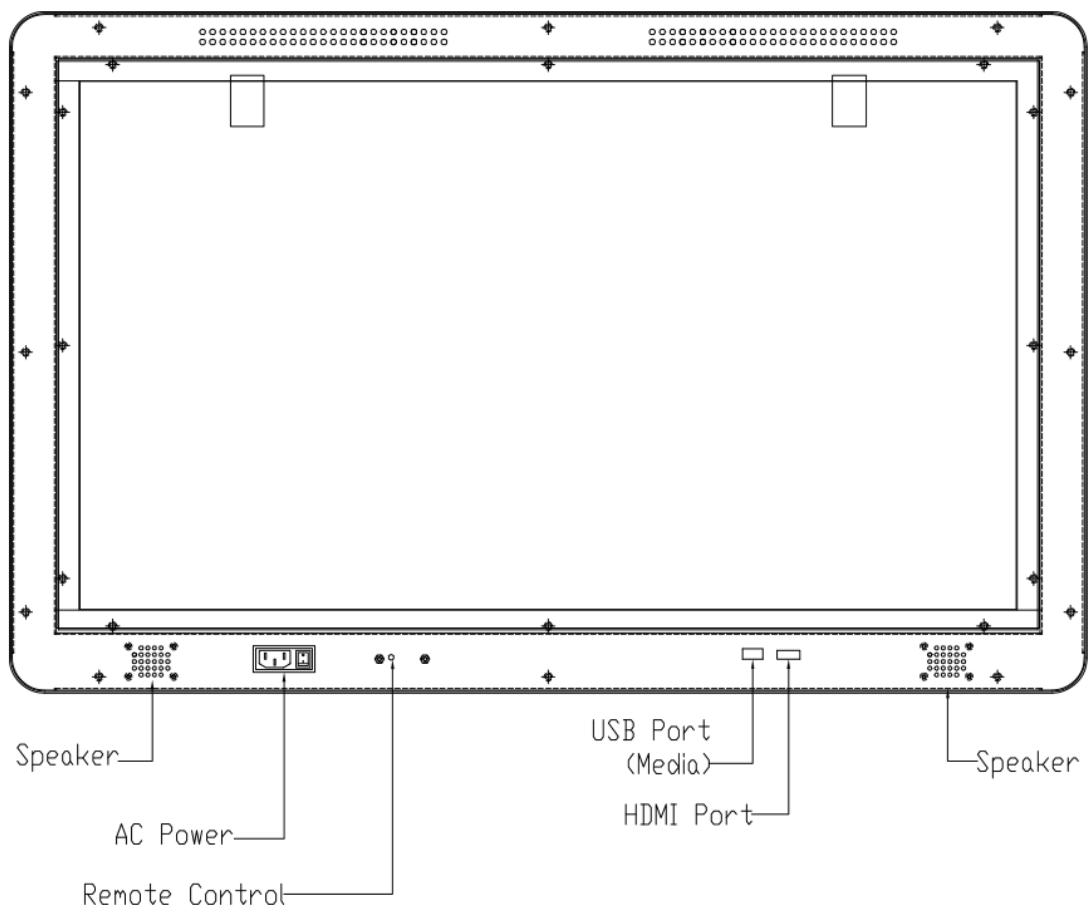
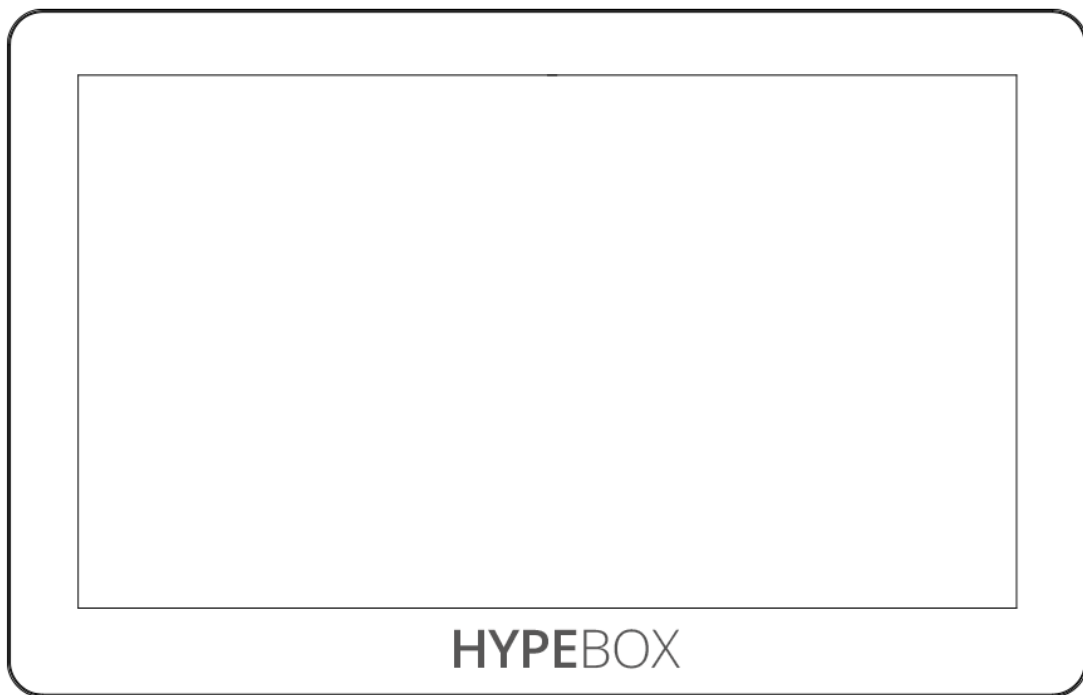


# Installation

## HYPEBOX Transparent LCD Showcase

10" - 70"



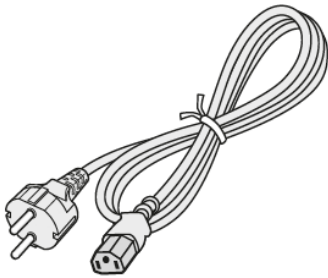
# Installation

## HYPEBOX Transparent LCD Showcase

10" - 70"

### 1) Power Supply

Connect the monitor with the supplied power cable. (European Continental)



CAUTION: Please use the power cord provided with this monitor in accordance with the table below. If a power cord is not supplied with this equipment, please use a power cord that matches the AC voltage of the power outlet and has been approved by and complies with the safety standard of your particular country.

When operating the monitor with its AC 125-240V power supply, use a power supply cord that matches the power supply voltage of the AC power outlet being used.

Plug Type	North America		European Continental	U.K.	Chinese	Japanese
Plug Shape						
Region	U.S.A./ Canada	Taiwan	EU (except U.K.)	U.K.	China	Japan
Voltage	120*	110*	230	230	220	100

### 2) PC Connection or USB - Input Source




Connect the monitor to your PC / MAC / external Mediaplayer by using the HDMI port. If you want to use the integrated Mediaplayer, just insert your USB stick into the USB Port.

Once you switch on the box (using the Main Power Switch on the back side), it will start and play automatically from the specified source.

Please get sure, that the correct Input Signal is selected. To do so, press the corresponding buttons at the remote control:

**SOURCE** --> A menu appears on the screen.

Please choose **Media (USB)** or **HDMI** by using the **Down** and **Up** buttons and confirm with the  **Enter** button.

The selection will be saved for the next time.

# Installation

## HYPEBOX Transparent LCD Showcase

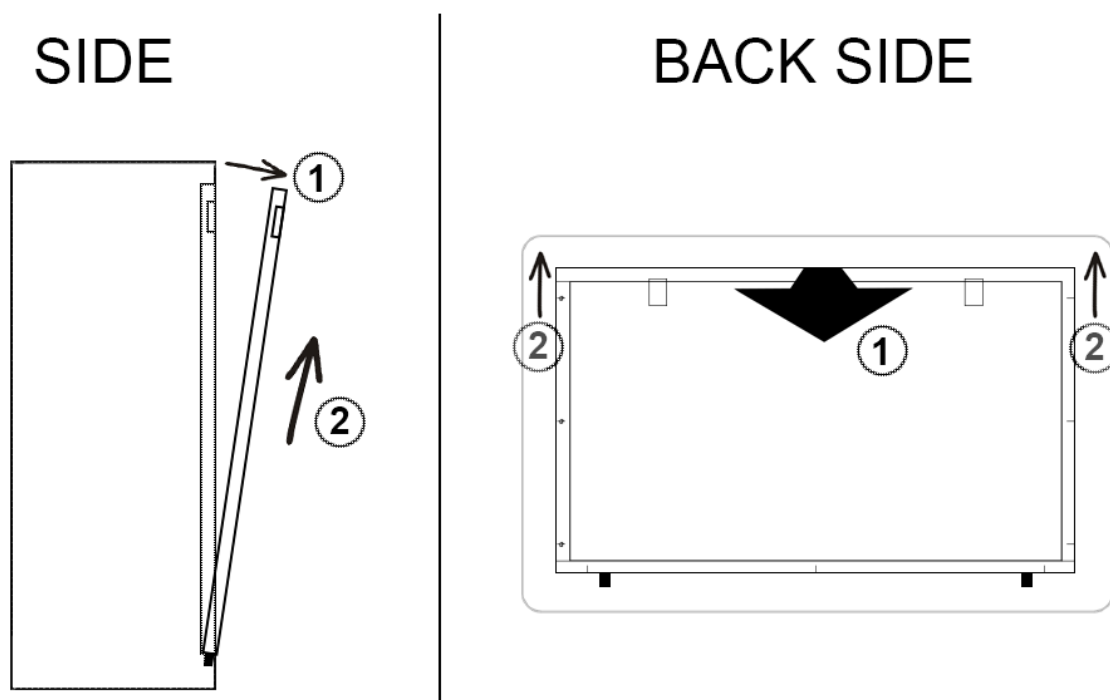
10" - 70"

### 3) Placing objects inside the HYPEBOX

In order to showcase products / objects inside the box, please open the back door.

**ATTENTION:**

Please do not press down the back door. It is meant to be pulled out carefully.



After you have placed your object inside the box, you can close and lock the back door.